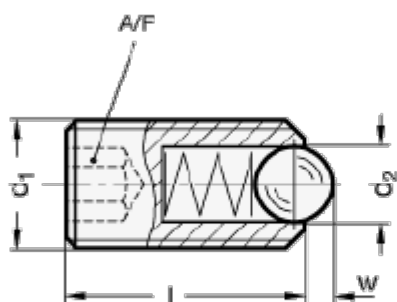


Article number: 206153M6K

Description: E+G spring plungers 615.3-M6-K

Measures



Thread locking **PFB**
Polyamide patch
for type **K**



Thread locking **PFB**
Polyamide patch
for type **KS**



Thread locking **MVK**
Micro encapsulation precoat
(for all types)

A/F	= 3
d1	= M6
d2	= 3.5
l	= 15
Max. spring load in N	= 18
Preload spring pressure in N	= 11
w	= 1